

1 Overview

This phone is a full-feature telephone that provides voice communication. Read this QIG carefully to learn how to operate this product and take advantage of its features.

Package Contents

When unpacking the phone, ensure all the following items are present and undamaged. If anything appears to be missing or broken, contact your dealer for a replacement.

1. Base Unit
2. Handset
3. Stand
4. AC Adaptor
5. RJ-45 Cable
6. Quick Installation Guide (This document)

2 Product Description

The following contains important information to help you familiarize with the functions of the VoIP phone.

Front View

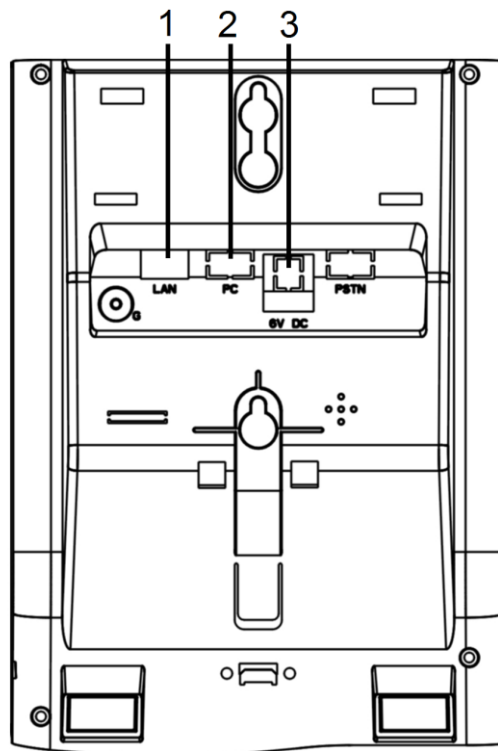


1. Base unit keys

Name	Description
1 Message waiting indicator	To indicate an incoming call or unread messages.
2 Display screen	To display calls and status information.
3 Speed dial keys	Press to dial the preset number.
4 Alphanumerical keys	Press these keys to enter phone numbers and texts.
5 Function keys	
Hold	Press to put an active call on hold.

Name	Description
Redial	Press to call the last number dialed.
CONF	Press to activate the three-way conference call.
MUTE	Press to mute a call.
Speaker	Press to activate the speakerphone for hands free conversations.
Message	Press to retrieve voice messages.
Volume	Press to increase or decrease the volume of the ringer tone or speakerphone.
LINE 1 / LINE 2	To indicate a line been used as the following status: - Idle: No LED indication. - Pre-dialing a call: Green LED. - In call: Red LED. - In on-hold call: Blinking red LED.

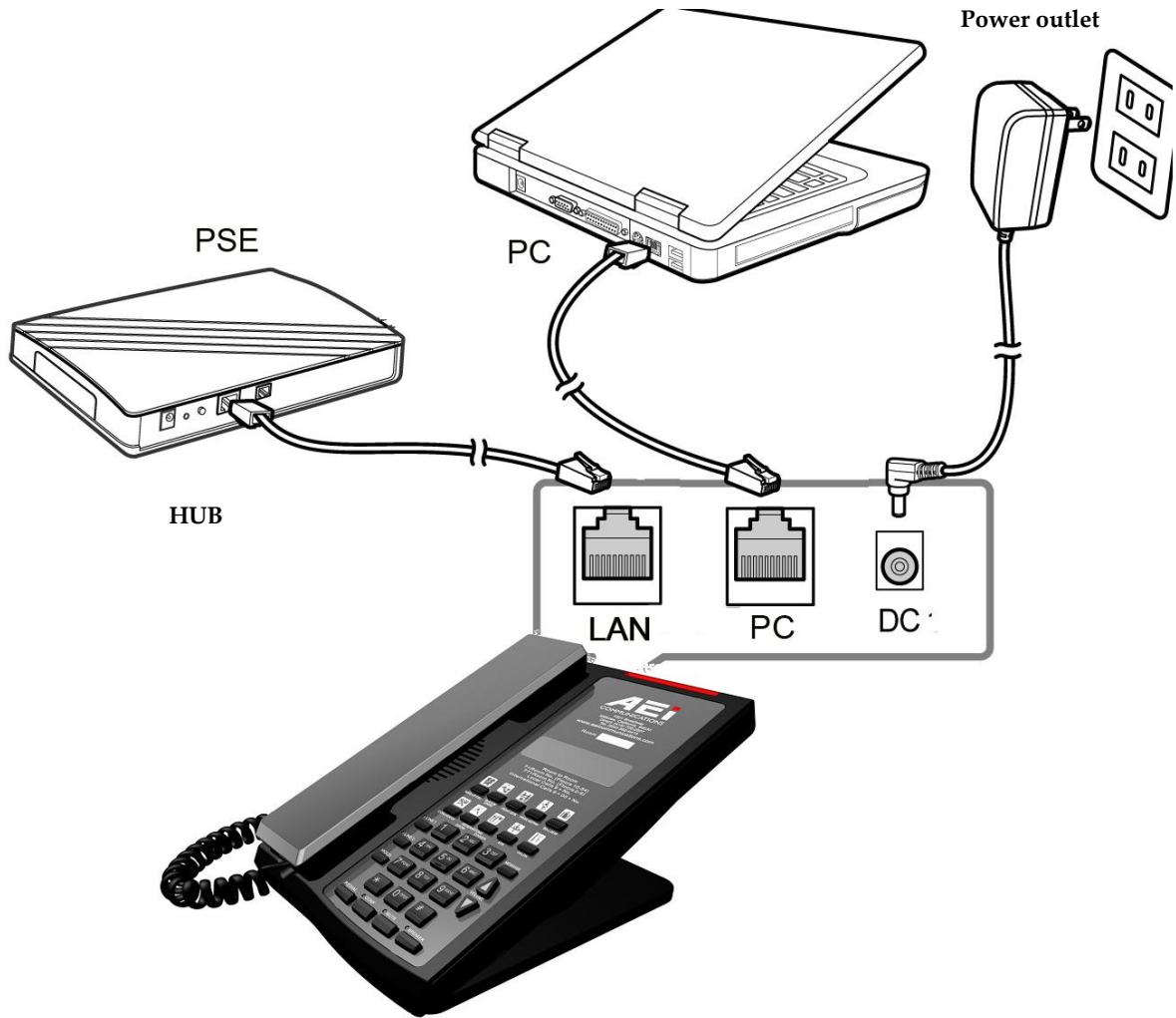
Back View



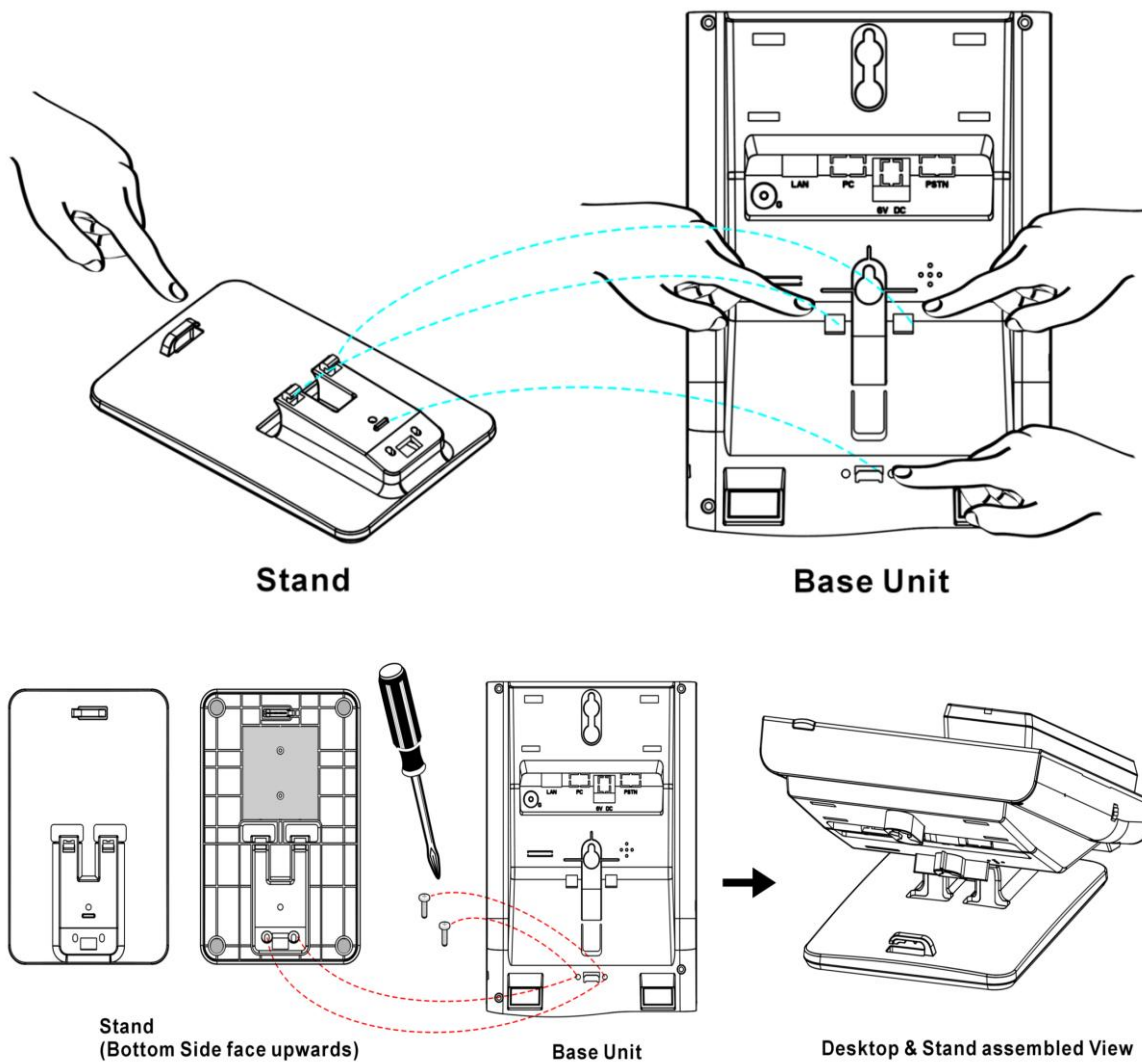
NO.	Name	Description
1	LAN port	Connects to HUB, ADSL, or Switch(PSE)
2	PC port	Connects to computer
3	DC 6V Power jack	Connects to AC power adapter. (Optional. While base unit is not powered via a PSE)
4	Handset jack	Connects to handset.

Connecting the Phone

The following illustration shows how to connect the power, LAN and PC ports of VoIP phone.



The following illustration shows how to install the phone and stand.



3 Operation

Answering a Call

An incoming call is indicated by a ringing tone and a flashing indicator. You can answer the call by doing one of the followings:

- Pick up the **handset** to answer the call.
- Press the **Line (Line1/Line2)/Speaker** key to answer the call.

Making a Call

Dialing with the Keypad

- Enter the telephone number with the alphanumeric keypad.
- After entering the number you want to call, press the # key to force dialing or wait for 4 seconds before the number is dialed automatically.

Using the Speed dial keys

You can use the 10 pre-assigned speed dial hotkeys, to configure the most commonly dialed numbers. Use the function to dial a number quickly, instead of keying in a complete number.

To call a number using speed dialing, follow the steps below:

- Press the speed dial hotkey that has been pre-assigned to the phone number and the call will start automatically.

Call Options

While a call is in progress, a number of additional options are available.

Using the Speaker Phone

For hands free operation, you can use the built-in speaker to talk on the phone. To use the speakerphone, follow the steps below:

- While talking on the phone, press the **SPEAKER** key on the phone to enable the Speakerphone function.
- Press Speaker key again to terminate the call.

Putting a Call on Hold

You may want to put a call on hold temporarily while doing some work or attending to a second incoming or outgoing call. To put a call on hold, do one of the following:

- Press the **HOLD** key on the phone to put the call on hold.
- When you receive a second call, press the next available **LINE** key to attend to the new call, and the first call will be put on hold automatically.

Checking Voice Messages

If the **message waiting indicator** at top of handset or base unit lights up in red, it indicates that there are one or more new messages in voicemail box.

- Press the **MESSAGE** key on the phone to retrieve voice messages.

(An external ITSP or PBX must support voice message feature. And you need to set a voice message code before using the voice mail feature.)

4 Support

To configure through the web browser, do the following:

- Ensure the phone is powered up and connected to a DCHP network.
- Press MUTE *112*113#, the IP address is displayed on the LCD screen.
- Open your browser (such as Chrome, Firefox, etc.) and type in the web address of the phone. For example, `http://IP.address.of.thePhone:8000`

When the Web login front page is displayed. Enter the user name and the password and click **Login**.

The administrator's user name and password are "**admin**" and "**1234**" respectively.

For technical support, please email to support@aeicomcommunications.com.tw

Model:

SSP-9210-SM / SSP-9110-SM

SSP-9210-S / SSP-9110-S

SSP-7210-S / SSP-7110-S

SSP-2210-S / SSP-2110-S

SMT-9210-SM / SMT-9110-SM

SMT-9210-S / SMT-9110-S

SMT-7210-S / SMT-7110-S

SMT-2210-S / SMT-2110-S