

VoIP DECT Phone

VX-8208-SMBU(S) / VX-8108-SMBU(S)

QIG v1.1



1 Over View

This phone is a full-feature telephone that provides voice communication. Read this QIG carefully to learn how to operate this product and take advantage of its features.

Package Contents

When unpacking the phone, ensure all the following items are present and undamaged. If anything appears to be missing or broken, contact your dealer for a replacement.

1. Cordless Handset
2. Charging Stand
3. Battery
4. AC Adaptor
5. Quick Installation Guide (This document)

2 Product Description

The following contains important information to help you familiarize with the functions of the phone.

Front View

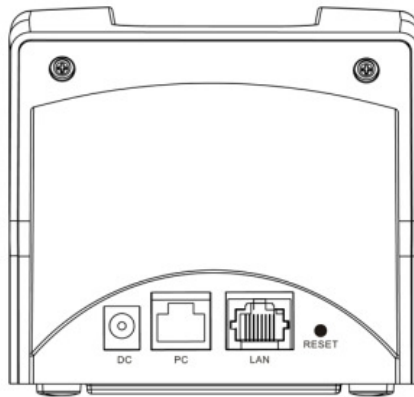


1. Handset keys

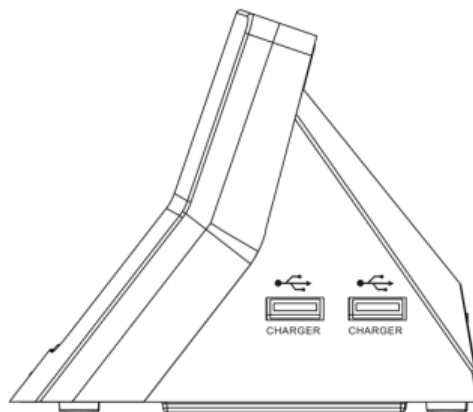
Name	Description
Display screen	Displays calls and status information.
SELECT SERVICES key	Press enter service function
Right / Left key	Press to choose service function.
LINE 1 / LINE 2	There are two LINES bottom in this handset.

Name	Description
END key	Press to end the phone call
Alphanumerical keys	Press these keys to enter phone numbers and texts.
Function keys	
HOLD (2 line only)	Press to put an active call on hold.
MUTE (single line only)	Press to mute MIC.
SPEAKER	Activates the speakerphone to allow hands free conversations.
VOLUME	Press to increase or decrease the volume of the ringer tone, handset, or the volume of the current call using the speakerphone.
MESSAGE	Press to listen to voice messages.
FRONT DESK	Press to contact with front desk service.
EMERGENCY	Press to make an emergency call.

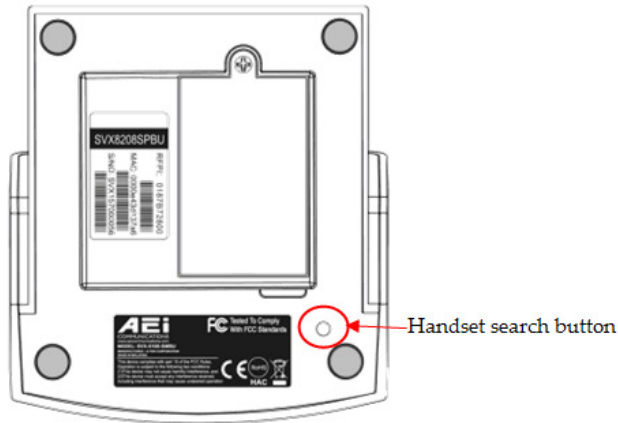
2. Base review



Name	Description
DC port	Connects to AC power adapter.
LAN port	Connects to switch, hub, or ADSL
PC port	Connects to PC
Reset	Press to reset this phone set.
Message LED	Flash when there's message or Ethernet error.



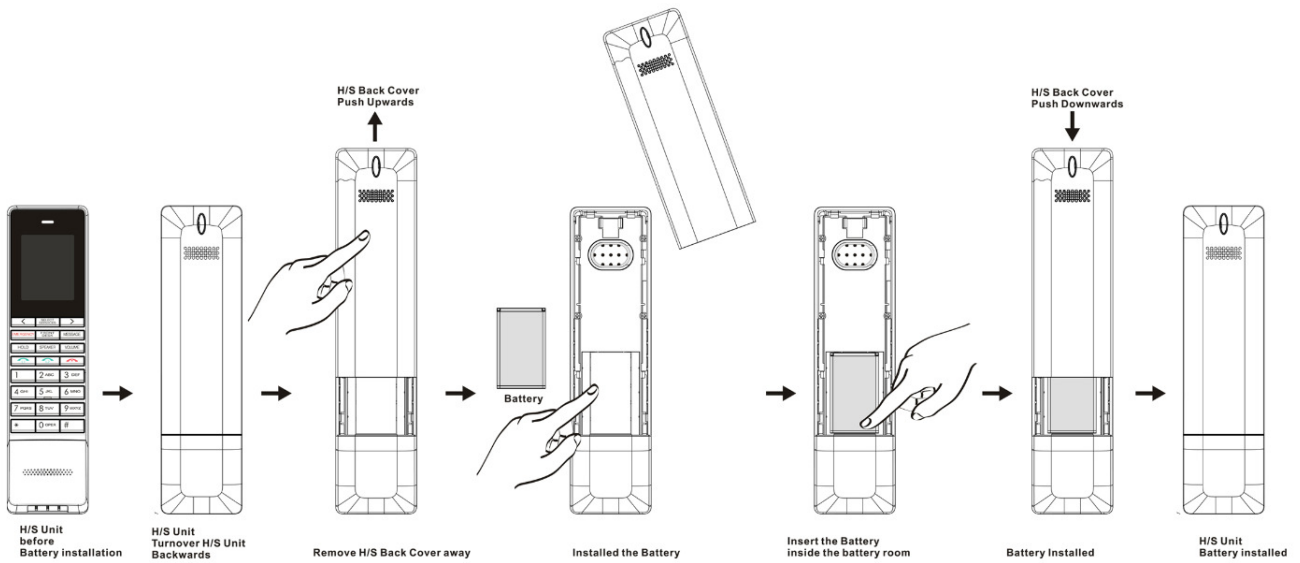
Name	Description
USB Charger port	Connects to mobile equipment charging cable.



Name	Description
Handset search button	To search handset

Connecting the Phone

The following illustration shows how to install the handset and battery.



3 Operations

Answering a Call

An incoming call is indicated by a ringing tone and a flashing indicator at the top of handset. You can answer the call by doing one of the followings:

- Pick up the **handset** to answer the call.
- Press the **LINE (LINE1/LINE2)/SPEAKER** key on the handset to answer the call.

Making a Call

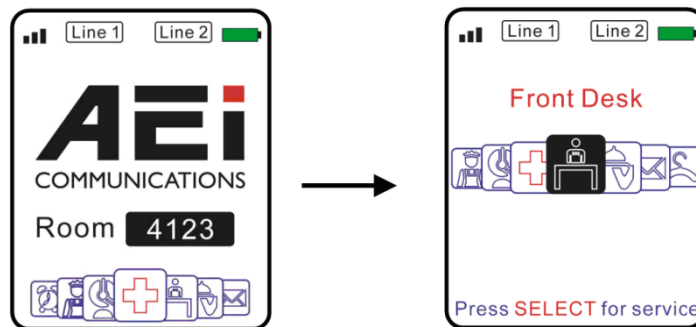
Press **LINE** key or **SPEAKER** key will see all dialing description for this phone set.

You can make the call by doing one of the followings:

Dialing with the Keypad

1. Enter the telephone number with the alphanumerical keypad.
2. After entering the number you want to call, press the # key to force dialing or wait for 3 seconds before the number is dialed automatically.

Using the service function



You can use the pre-assigned service function, to configure the most commonly dialed numbers. Use the function to dial a number quickly, instead of keying in a complete number.

To call a number using speed service dialing, follow the steps below:

- Press **SELECT SERVICES** key and use right/left key to select service.
- Press **SELECT SERVICES** key again to precede service dial.


Pairing handset and base unit

To pairing handset and base:

- Put handset on the base, the base will start pairing automatically.
- After finished pairing, the base will play the beep tones.

Charging the Handset Battery

You would need to charge the handset battery before using the handset.

- Install the battery into the handset.
- Place the handset onto the base unit and base unit will start to charge the handset automatically.
- This icon  will show on your display during charging progress.
- For best performance, keep the handset in the telephone base or charger base when not in use.

- The battery is fully charged after 10 hours of continuous charging.
- If the handset will not be used for a long time, disconnect and remove the battery to prevent possible leakage.

4 Support

To configure through the web browser, do the following:

- Ensure the phone is powered up and connected to a DHCP network.
- Press *112*113 and then “Line 1” (for 2-line phone) or green button (for 1- line phone), the IP address is displayed on the LCD screen.
- Open your browser (such as Chrome, Firefox, etc.) and type in the web address of the phone. For example, <http://IP.address.of.thePhone:8000>
- When the Web login front page is displayed. Enter the user name and the password and click **Login**. The administrator’s user name and password are “**admin**” and “**1234**” respectively.

5 Battery Safety Instructions

- CAUTION: Use only supplied battery.
- Do not dispose of the battery in a fire. Check with local waste management codes for special disposal instructions.
- Do not open or mutilate the battery. Released electrolyte is corrosive and cause burn or injury to the eyes or skin. The electrolyte may be toxic if swallowed.
- Exercise care in handling batteries in order not to create a short circuit with conductive materials.
- Charge the battery provided with or identified for use with this product only in accordance with the instructions and limitations specified in this guide.

6 Important Information

- Only use the battery provided by AEI, may be a risk of explosion if wrong type of battery is used.
- Use only the power adapter supplied with this product.
- If you do not use the handset for a long time, disconnect and remove the battery to prevent possible leakage.
- You may place the handset into the base after each call in order to charge the battery.
- For technical support, please email to support@aeicomcommunications.com.tw

Model:

VX-8208-SMBU(S) / VX-8108-SMBU(S)