

SIP DECT Phone



VX-8208-SMB(S)/ VX-8108-SMB(S)

VX-8208-SMBU(S)/ VX-8108-SMBU(S)

QIG

V 1.02

For single Ethernet models

1 Over View

This phone is a full-feature telephone that provides voice communication. Read this QIG carefully to learn how to operate this product and take advantage of its features.

Package Contents

When unpacking the phone, ensure all the following items are present and undamaged. If anything appears to be missing or broken, contact your dealer for a replacement.

1. Cordless Handset
2. Charging Stand
3. Battery
4. AC Adaptor
5. Quick Installation Guide (This document)

2 Product Description

The following contains important information to help you familiarize with the functions of the phone.

Front View

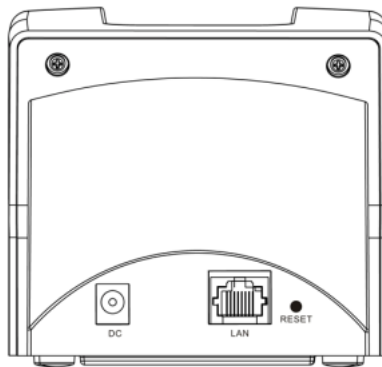


1. Handset keys

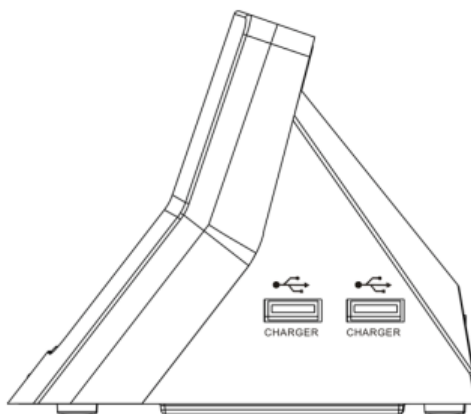
Name	Description
Display screen	Displays calls and status information.
SELECT SERVICES key	Press enter service function
Right / Left key	Press to choose service function.
LINE 1 / LINE 2	There are two LINES bottom in this handset.
END key	Press to end the phone call

Name	Description
Alphanumerical keys	Press these keys to enter phone numbers and texts.
Function keys	
HOLD (2 line only)	Press to put an active call on hold.
MUTE (single line only)	Press to mute MIC.
SPEAKER	Activates the speakerphone to allow hands free conversations.
VOLUME	Press to increase or decrease the volume of the ringer tone, handset, or the volume of the current call using the speakerphone.
MESSAGE	Press to listen to voice messages.
GUEST SERVICES	Press to contact guest services.
EMERGENCY	Press to make an emergency call.

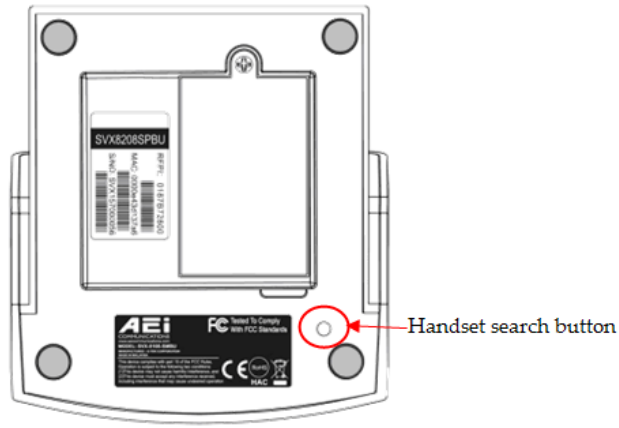
2. Base review



Name	Description
DC port	Connects to AC power adapter.
LAN port	Connects to switch, hub, or ADSL
Reset	Press to reset this phone set.
LED	Flash when the base unit is no sub or Ethernet error.



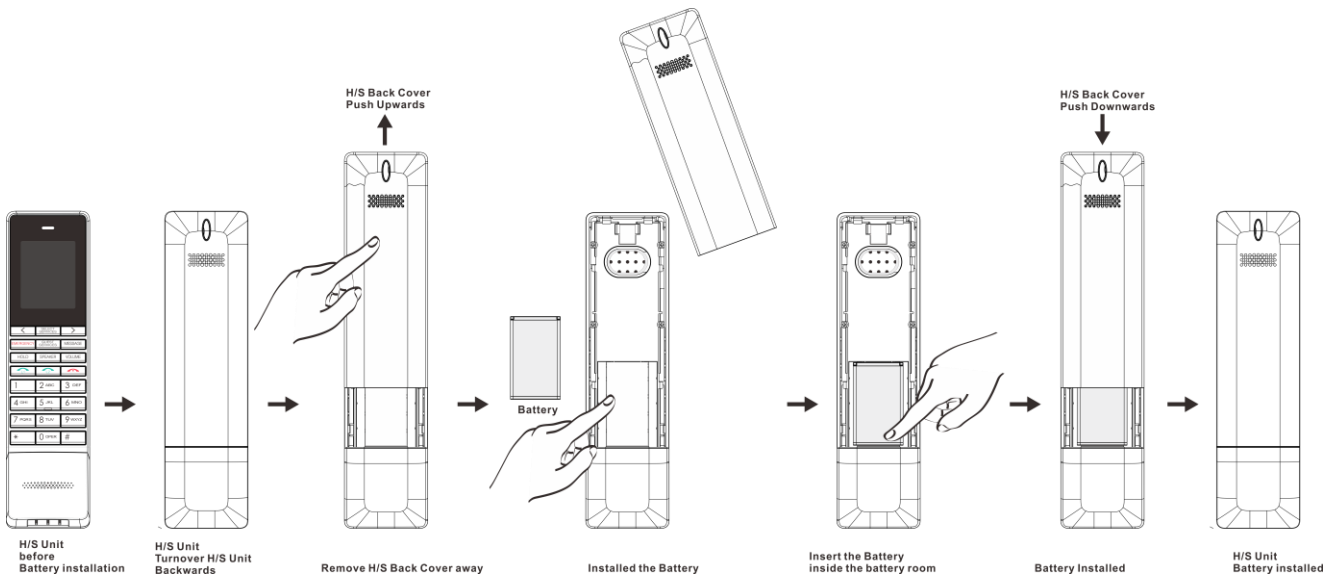
Name	Description
USB Charger port	Connects to mobile equipment charging cable.(SMBU only)



Name	Description
Handset search button	To search handset

Connecting the Phone

The following illustration shows how to install the handset and battery.



3 Operations

Answering a Call

An incoming call is indicated by a ringing tone and a flashing indicator at the top of handset. You can answer the call by doing one of the followings:

- Pick up the **handset** to answer the call.
- Press the **LINE (LINE1/LINE2)/SPEAKER** key on the handset to answer the call.

Making a Call

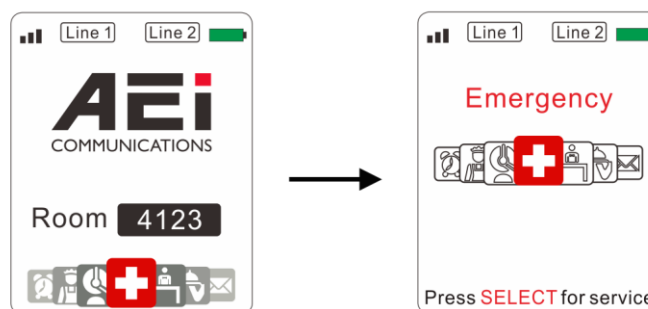
Press **LINE** key or **SPEAKER** key will see all dialing description for this phone set.

You can make the call by doing one of the followings:

Dialing with the Keypad

1. Enter the telephone number with the alphanumerical keypad.
2. After entering the number you want to call, press the # key to force dialing or wait for 3 seconds before the number is dialed automatically.

Using the service function



You can use the pre-assigned service function, to configure the most commonly dialed numbers. Use the function to dial a number quickly, instead of keying in a complete number.

To call a number using speed service dialing, follow the steps below:

- Press **SELECT SERVICES** key and use right/left key to select service.
- Press **SELECT SERVICES** key again to precede service dial.

Using the Speaker Phone

For hands free operation, you can use the built-in speaker to talk on the phone. To use the speakerphone, follow the steps below:

- While talking on the phone, press the **SPEAKER** key on the phone to enable the Speakerphone function.
- Press **SPEAKER** key again to terminate the call.

Pairing handset and base unit


To pairing handset and base:

- Put handset on the base, the base will start pairing automatically.
- After finished pairing, the base will play the beep tones.

Charging the Handset Battery

You would need to charge the handset battery before using the handset.

- Install the battery into the handset.

- Place the handset onto the base unit and base unit will start to charge the handset automatically.
- This icon  will show on your display during charging progress.

4 Support

To configure through the web browser, do the following:

- Ensure the phone is powered up and connected to a DCHP network.
- Press *112*113 and then "LINE 1" (for 2-line phone) or green button (for 1- line phone) on the cordless handset, the IP address is displayed on the LCD screen.
- Open your browser (such as Internet Explorer, Firefox, etc.) and type in the web address of the phone. For example, if the IP address you obtain in step 4 above is 192.168.1.2, enter the web address: http:// 192.168.1.2:8000.
- When the Web login front page is displayed. Enter the user name and the password and click **Login**. The administrator's user name and password are "**admin**" and "**1234**" respectively.

For technological support, please email to support@aeicommunication.com.