

Analog DECT Phone



AGR-9206-SM / AGR-9106-SM

QIG
V 1.1

1 Over view

This phone is a full-feature telephone that provides voice communication. Read this QIG carefully to learn how to operate this product and take advantage of its features.

Package Contents

When unpacking the phone, ensure all the following items are present and undamaged. If anything appears to be missing or broken, contact your dealer for a replacement.

1. Base Unit
2. Handset
3. Stand
4. AC Adaptor
5. 10-feet, 4 wire Line Cord (with RJ-11 connector)
6. Quick Installation Guide (This document)

2 Product Description

The following contains important information to help you familiarize with the functions of the analog phone.

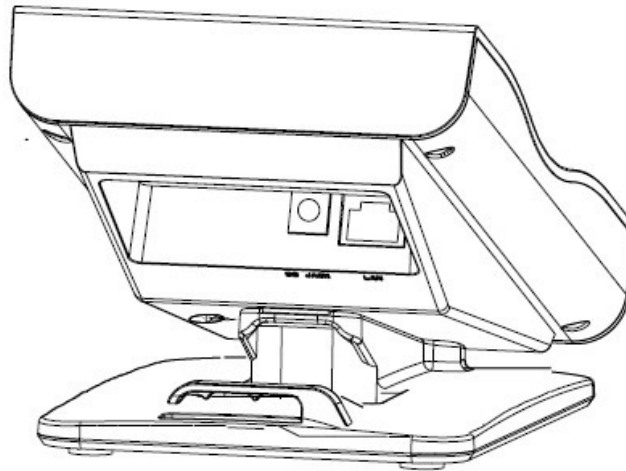
Front View



Name	Description
1	Message waiting indicator
2	Display screen
3	Speed dial keys
4	LINE 1 / LINE 2
5	End key
6	Alphanumerical keys

	Name	Description
7	Function keys	
	HOLD	Press to put an active call on hold.
	SPEAKER	Press to activate the speakerphone for hands free conversations.
	VOLUME	Press to increase or decrease the volume of the ringer tone, handset, or speakerphone.

Back View



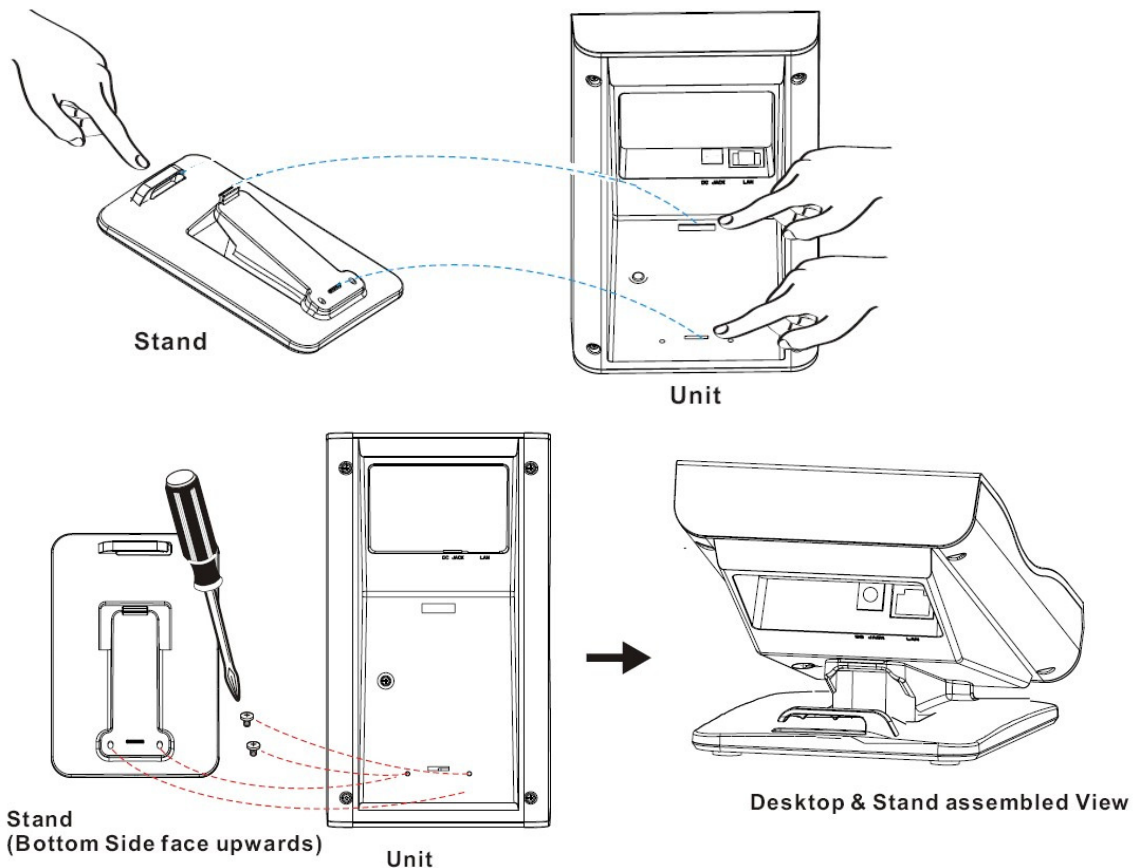
NO.	Name	Description
1	PSTN line port	Connects to PSTN line.
2	DC 6V Power jack	Connects to AC power adapter.

Connecting the Phone

The following illustration shows how to connect the power ports of phone.



The following illustration shows how to install the phone and stand.



3 Operations

Answering a Call

An incoming call is indicated by a ringing tone and a flashing indicator at the top of base units. You can answer the call by doing one of the followings:

- Pick up the **handset** to answer the call.
- Press the **Line (Line1/Line2)** key to answer the call.

Making a Call

Dialing with the Keypad

- Enter the telephone number with the alphanumerical keypad and the call will start automatically.

Using the Speed dial keys

You can use the 6 pre-assigned speed dial hotkeys, to configure the most commonly dialed numbers. Use the function to dial a number quickly, instead of keying in a complete number.

To call a number using speed dialing, follow the steps below:

- Press the speed dial hotkey that has been pre-assigned to the phone number and the call will start automatically.

Call Options

While a call is in progress, a number of additional options are available.

Using the Speaker Phone

For hands free operation, you can use the built-in speaker to talk on the phone. To use the speakerphone, follow the steps below:

- While talking on the phone, press the **SPEAKER** key on the phone to enable the Speakerphone function.
- Press **SPEAKER** key again to terminate the call.

Putting a Call on Hold

You may want to put a call on hold temporarily while doing some work or attending to a second incoming or outgoing call. To put a call on hold, do one of the following:

- Press the **HOLD** key on the phone to put the call on hold.
- When you receive a second call, press the next available **LINE** key to attend to the new call, and the first call will be put on hold automatically.

Checking Voice Messages

If the **message waiting indicator** at top of base unit lights up in red, it indicates that there are one or more new messages in voicemail box.

- Press the **MESSAGE** key on the phone to retrieve voice messages.

4 Battery Safety Instructions

- **CAUTION:** Use only supplied battery.
- Do not dispose of the battery in a fire. Check with local waste management codes for special disposal instructions.
- Do not open or mutilate the battery. Released electrolyte is corrosive and cause burn or injury to the eyes or skin. The electrolyte may be toxic if swallowed.
- Exercise care in handling batteries in order not to create a short circuit with conductive materials.
- Charge the battery provided with or identified for use with this product only in accordance with the instructions and limitations specified in this guide.

5 Important Information

- Only use the battery provided by AEI, may be a risk of explosion if wrong type of battery is used.
- Use only the power adapter supplied with this product.
- If you do not use the handset for a long time, disconnect and remove the battery to prevent possible leakage.
- You may place the handset into the base after each call in order to charge the battery.
- For technical support, please email to support@aeicommunications.com.tw