

Analog Phone

AAX-4100

QIG v1.0



1 Over view

This phone is a full-feature telephone that provides voice communication. Read this QIG carefully to learn how to operate this product and take advantage of its features.

Package Contents

When unpacking the VoIP phone, ensure all the following items are present and undamaged. If anything appears to be missing or broken, contact your dealer for a replacement.

1. Base Unit
2. Handset
3. Coiled Handset Cord
4. Line Cord
5. User Guide

2 Product Description

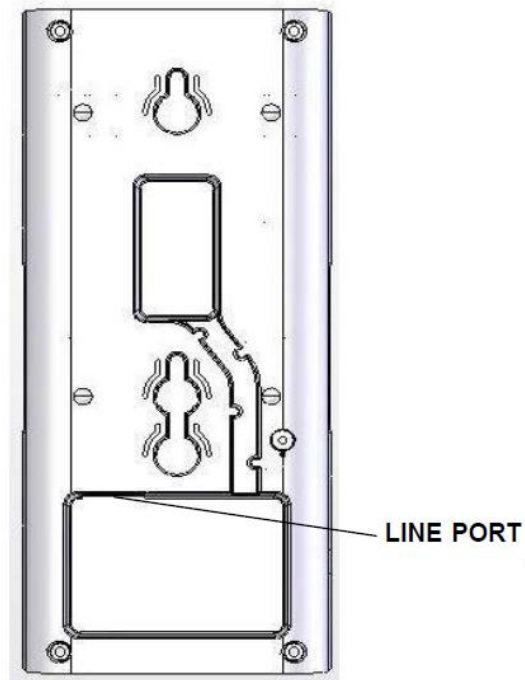
This chapter contains important information to help you familiarize yourself with the functions of the Analog phone.

Front View



	Name	Description
1	Ring Indicator	A red light indicator means that you have incoming calls.
2	Dialing Pad	Press the buttons to dial a phone number or enter alphabetical characters.
3	Speed dial Service Keys	Press any of the keys to speed dial the preset contact number.
4	Release Key	Press to cut off the line.
5	Volume control keys	Increases or decrease the volume for the currently active voice receiver for handset. The volume button also controls the ringer volume when on-hook.

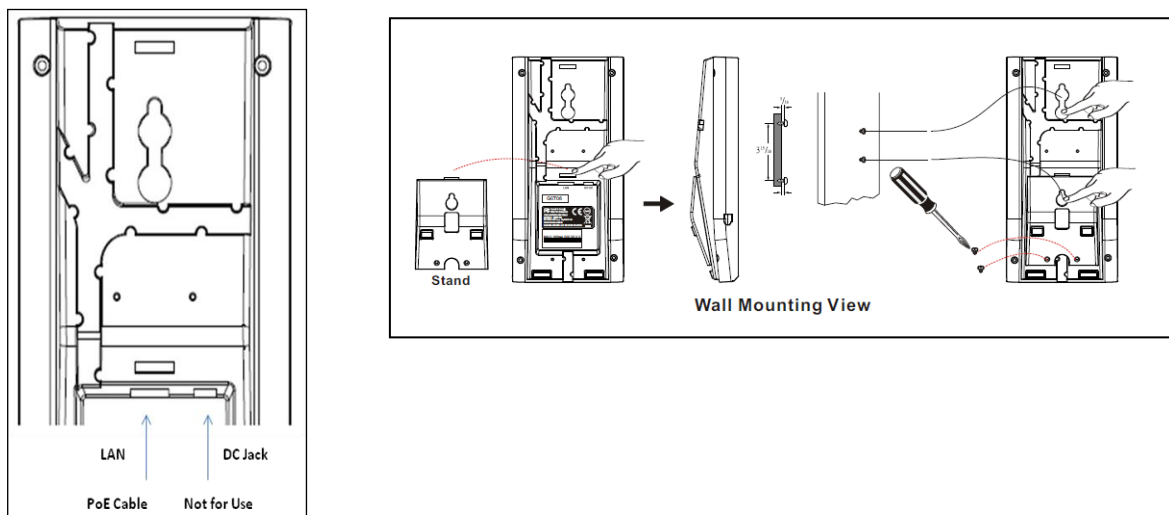
Back View



Name	Description
1 Line Port	Allow connect to telephone line..

3. Installation

The following illustration shows how to install the phone and stand.



4 Operation

Answering a Call

An incoming call is indicated by a ringing tone and a flashing indicator at the top of handset. You can answer the call by doing one of the followings:

- Pick up the **handset** to answer the call.

Making a Call

Dialing with the Keypad

- Enter the telephone number with the alphanumeric keypad.
- To make another call without placing the handset on the base, press and hold the release key to cut off the line. Then release the key and dial the desired phone number.

For technical support, please email to support@aeicomunications.com.tw
