

VoIP Phone



SKD-1200 /SKD-1100
SKD-1203 /SKD-1103
SKD-9200 /SKD-9100
SKD-9203 /SKD-9103
SLN-1200 /SLN-1100
SLN-1203 /SLN-1103
SLN-9200 /SLN-9100
SLN-9203 /SLN-9103

QIG
V 1.02

1 Over view

This phone is a full-feature telephone that provides voice communication. Read this QIG carefully to learn how to operate this product and take advantage of its features.

Package Contents

When unpacking the VoIP phone, ensure all the following items are present and undamaged. If anything appears to be missing or broken, contact your dealer for a replacement.

1. **Base Unit**
2. **Handset**
3. **Wall mount**
4. **AC Adaptor (Optional)**
5. **RJ-45 Cable**
6. **Quick Installation Guide (This document)**

2 Product Description

This chapter contains important information to help you familiarize yourself with the functions of the VoIP phone.

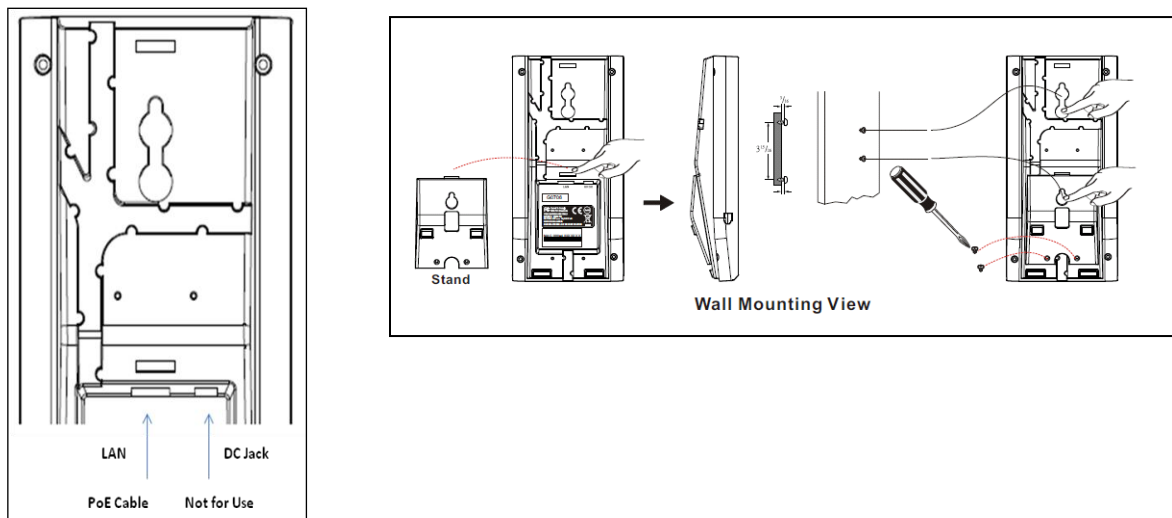
Front View



	Name	Description
1	Ring Indicator	A red light indicator means that you have incoming calls.
2	Dialing Pad	Press the buttons to dial a phone number or enter alphabetical characters.
3	Speed dial Service Keys	Press any of the keys to speed dial the preset contact number.
4	Hold	Press to put an active call on hold.
5	Redial	Press to call the last number dialed.
6	LINE 1 / LINE 2	There are two LINES bottom in this IP Phone.
7	Volume control keys	Increases or decrease the volume for the currently active voice receiver for handset. The volume button also controls the ringer volume when on-hook.

3. Installation

The following illustration shows how to install the phone and stand.



4 Operation

Answering a Call

An incoming call is indicated by a ringing tone and a flashing indicator at the top of both handset and base units. You can answer the call by doing one of the followings:

- Pick up the **handset** to answer the call.

Making a Call

Dialing with the Keypad

- Enter the telephone number with the alphanumeric keypad.
- After entering the number you want to call, press the # key to force dialing or wait for 3 seconds before the number is dialed automatically.

Call Options

While a call is in progress, a number of additional options are available.

Putting a Call on Hold

You may want to put a call on hold temporarily while doing some work or attending to a second incoming or outgoing call. To put a call on hold, do one of the following:

- Press the **HOLD** key on the phone to put the call on hold.
- When you receive a second call, press the next available **LINE** key to attend to the new call, and the first call will be put on hold automatically.

5 Support

To configure through the web browser, do the following:

- Ensure the phone is powered up and connected to a DHCP network.
- Pick up the handset and then press *112*113#, the IP address is announced by the phone.
- Open your browser (such as Chrome, Firefox, etc.) and type in the web address of the phone. For example, http://IP.address.of.thePhone:8000

When the Web login front page is displayed. Enter the user name and the password and click **Login**.
The administrator's user name and password are "**admin**" and "**1234**" respectively.

For technical support, please email to support@aeicomunications.com.tw
